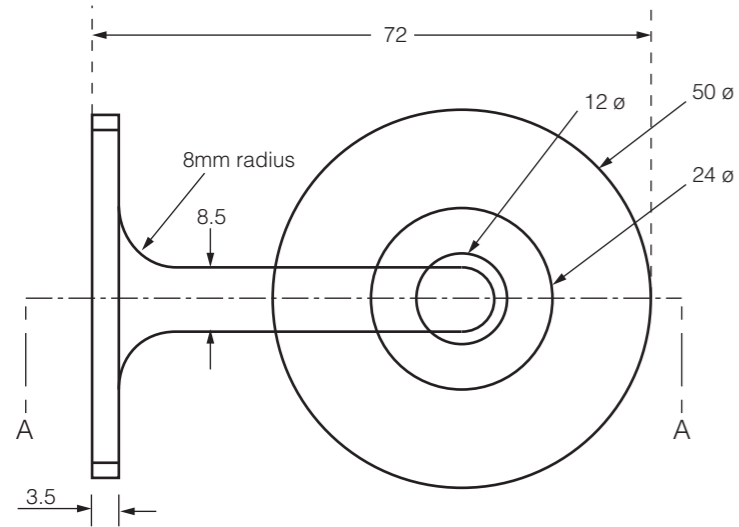
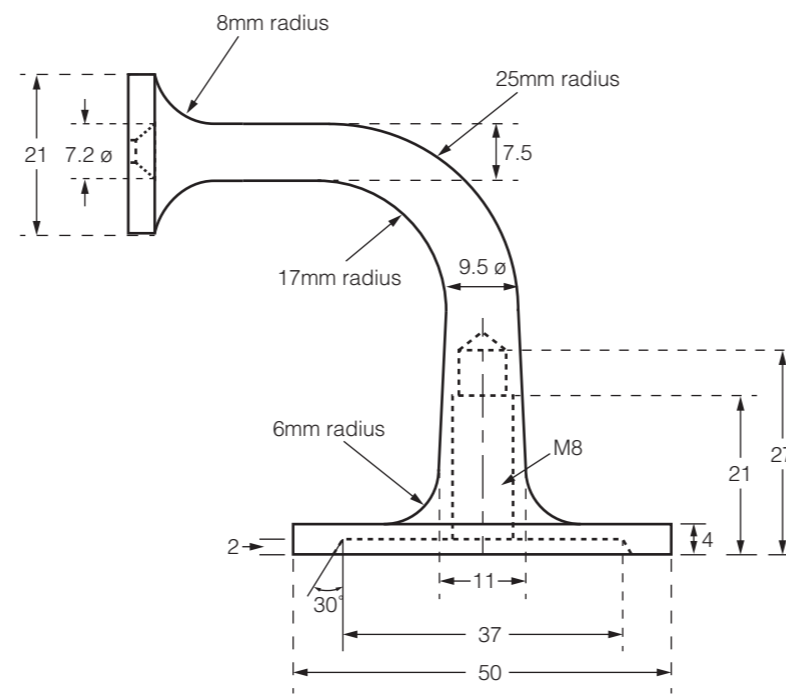


# 5140 STAIR RAIL BRACKET

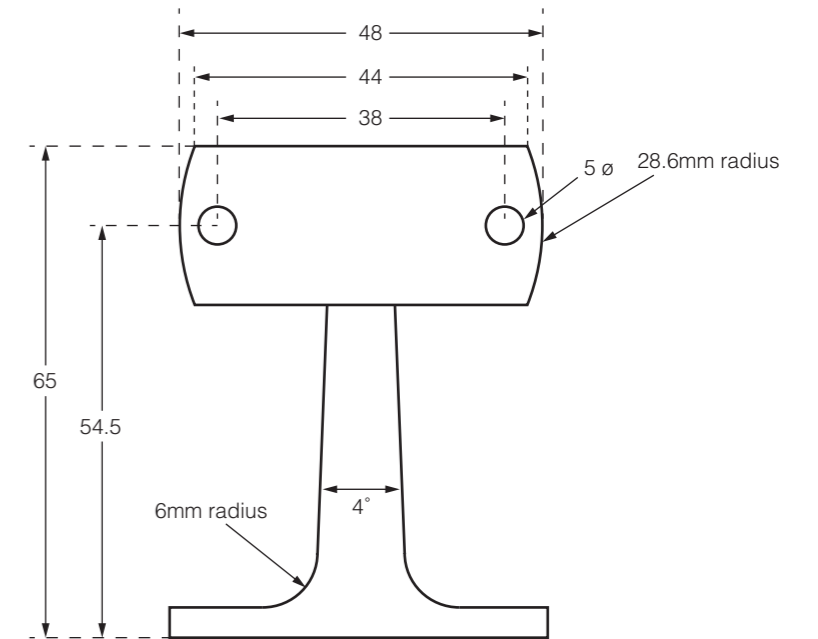
TOP VIEW



SIDE VIEW A:A



FRONT VIEW



Unless otherwise specified:  
 - Dimensions are in mm  
 - Tolerances are +0 -0.5